



Specification Sheet

Protective Conduit for Sensor Cable

Description

Fiber SenSys® proprietary-construction flexible conduit provides all-weather protection for the SC-3 fiber optic sensor cable in fence line applications. Constructed of UV-resistant polyethylene, the conduit is rated to give the fiber optic cable added resilience and survivability when deployed on a metal fence, raising the lifespan of the cable to an expected 20 years. The conduit also ensures sensitivity is uniform throughout the entire sensing zone of the perimeter. Sensor cable is therefore required to be inserted into the flexible conduit prior to fence line deployment.

Two versions of the flexible conduit are available: split and non-split. For all split conduit applications, a unique tool (the Fiber SenSys® EZ-350 Insertion Tool) is required to insert the sensor cable into the conduit. A pull cable is provided with all non-split conduit.

All Fiber SenSys® conduit comes in a kit: the EZ-300NSS for non-split conduit and the EZ-300SS for split conduit. Each kit contains 100 meters of conduit, as well as wire ties for attaching the conduit to the fence. A box coupler and conduit-to-conduit coupling device is also included. Conduit is available standard in black or grey, but may be ordered to any customer specified color.



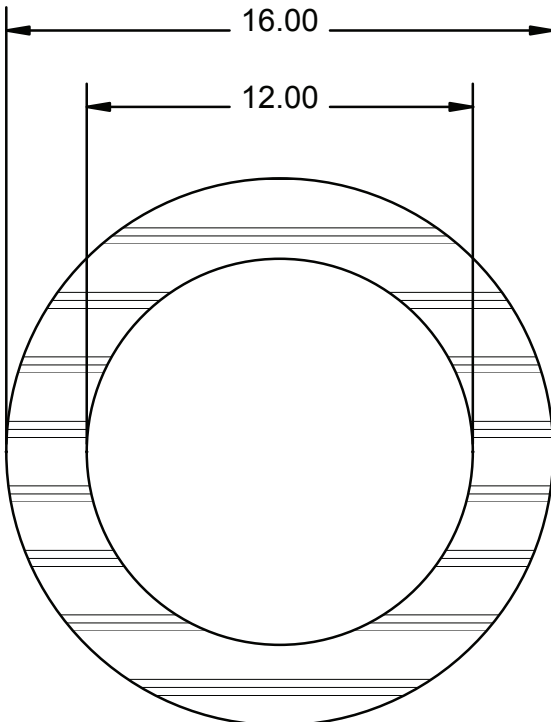
EZ-300NSS Non-split Conduit Kit components shown. Fiber SenSys® conduit is available in any required color.

Protective conduit is not required for use in buried sensor cable applications.

Product Specifications

Conduit Material	Proprietary construction, UV-resistant polyethylene
Cable Weight	90.7 kg/km
Cable Outer Diameter	16 mm (0.625 inches)
Conduit Color	Light grey or black (standard) - other colors available upon request
Operational Data	
Operating Temperature	-40°C to +104°C (-40°F to +220°F)
Available Kits	
Non-split Conduit	EZ-300NSS (grey) or EZ-300NSSB (black)
Split Conduit	EZ-300SS (grey) or EZ-300SSB (black)
Kit Contents	
Non-split Conduit	100 m of non-split conduit, 1 barrel coupler, 1 box coupler, 500 stainless steel wire ties
Split Conduit	100 m of split conduit, 4 expansion joints, 500 stainless steel wire ties

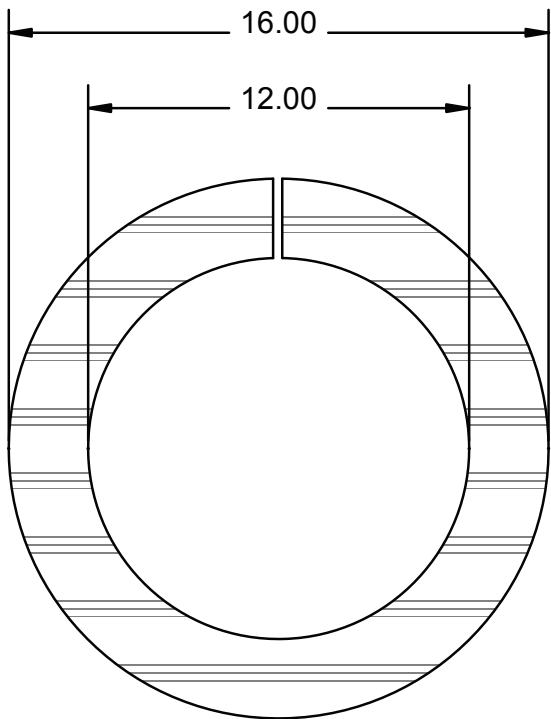
Non-split Conduit



Notes:

- 1. All dimensions in mm unless otherwise noted
- 2. Drawing not to scale

Split Conduit



Conduit Overhead View

